



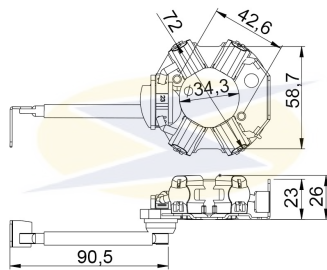
LANÇAMENTOS

NEW RELEASES

Informativo Técnico
Technical Information

PORTA - ESCOVAS Brush Holders

UF-1.380/4



Especificações / Specifications: 12V

Escova / Brush: 6 x 18 x 14,5 mm (L x A x C / W x H x L)

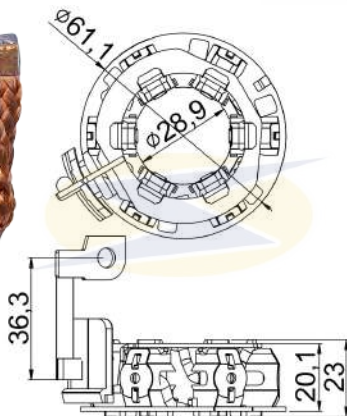
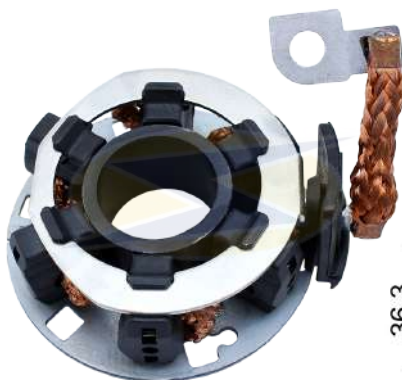
Equivalente / Replace: **BOSCH**

Partida / Starter: **BOSCH:** F002G70300, **JOHNDEERE:** RE557904, RF78M45

Aplicação / Application: **JOHNDEERE, FORD, MERCEDES-BENZ, BMW, AUDI:** Q7 3.0 TDI quattro (2006-15), **PORSCHE:** Cayenne II (2009- 17), **VOLKSWAGEN:** Touareg 3.0 TDI Diesel (2006-10), Touareg 3.0 V6 TDI (04-18)



UF-1.381/6



Especificações / Specifications: 12V

Escova / Brush: 4,2 x 13,80 x 10,9 mm (L x A x C / W x H x L)

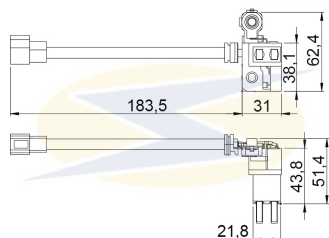
Equivalente / Replace: **BOSCH**

Partida / Starter: **BOSCH:** 0 001 194 627, **MOPAR:** 52208848

Aplicação / Application: **FIAT:** Fastback (2022-2023), Pulse (2021-2023), Toro (2022-2023), **JEEP:** Compass (2021-2023), Renegade (2022-2023), Commander (2021-2023)



UF-2.231/2



Especificações / Specifications: 12V

Escova / Brush: 8 x 4,9 x 60,2 mm (L x A x C / W x H x L)

Equivalente / Replace: **TOYOTA:** 27370-54250

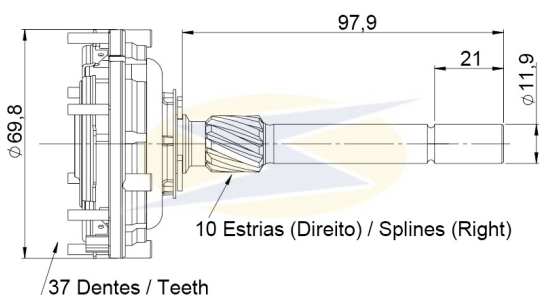
Partida / Starter: **TOYOTA:** 27020-54403

Aplicação / Application: **TOYOTA:** Hilux (1988-1991), Dyna 150 (1995-1999)

PLANETÁRIA

Planetary Gear

UF-11.009



Tipo / Type:

Equivalente / Replace: **BOSCH**

Partida / Starter: **BOSCH:** 9 000 061 009, 92046275

Aplicação / Application: **CHEVROLET:** Omega V6,

HOLDEN: Commodore Estate 3.8 i V6 (1988 ->), Saloon 3.8 i V6 (1994 ->), Saloon 3.8 i V6 Supercharged (1996 – 1999),

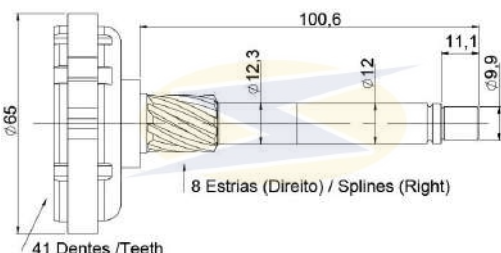
SSANGYONG: Rexton 2.7 XDi (2004 ->),

TOYOTA: Lexcen 3.8 (1989 ->).

Reparo da planetária / Repair for Planetary: **R-0219, R-0220**



UF-15.110



Tipo / Type:

Equivalente / Replace: **MITSUBISHI**

Partida / Starter: **MITSUBISHI:** M000t371ZC, **GM:** 12617229

Aplicação / Application: **CHEVROLET:** Camaro (2010-2015), Caprice (2011-2013).

Reparo da planetária / Repair for Planetary: **R-0154, R-0216**



REPARO PARA PLANETÁRIA

Repair kit for Planetary Gear

R-0219



Equivalente / Replace: BOSCH

Partida / Starter: BOSCH: 9 000 061 009, 92046275

Aplicação / Application: CHEVROLET: Omega V6,

HOLDEN: Commodore Estate 3.8 i V6 (1988 ->), Saloon 3.8 i V6 (1994 ->), Saloon 3.8 i V6 Supercharged (1996 – 1999),

SSANGYONG: Rexton 2.7 XDi (2004 ->),

TOYOTA: Lexcen 3.8 (1989 ->).

Planetária / Planetary: UF-11.009

R-0220



Equivalente / Replace: BOSCH

Partida / Starter: BOSCH: 9 000 061 009, 92046275

Aplicação / Application: CHEVROLET: Omega V6,

HOLDEN: Commodore Estate 3.8 i V6 (1988 ->), Saloon 3.8 i V6 (1994 ->), Saloon 3.8 i V6 Supercharged (1996 – 1999),

SSANGYONG: Rexton 2.7 XDi (2004 ->),

TOYOTA: Lexcen 3.8 (1989 ->).

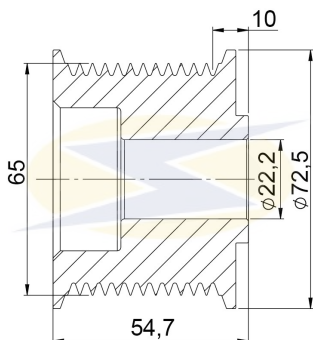
Planetária / Planetary: UF-11.009



POLIA

Pulley

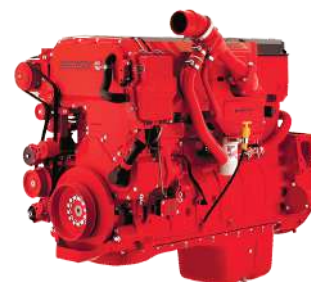
UF-3.515



Equivalente / Replace: CUMMINS: 3565205C1

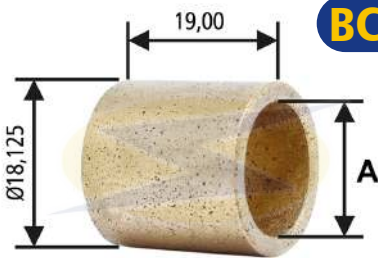
Partida / Starter:

Aplicação / Application: MOTORES: Caterpillar C10 e C12, Cummins ISX



BUCHAS

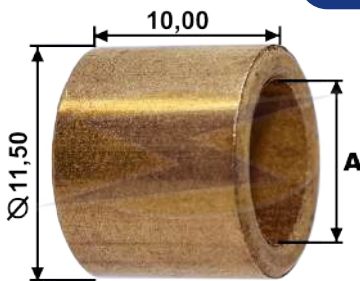
Bushes



BC1-0144-02

Equivalente / Replace:

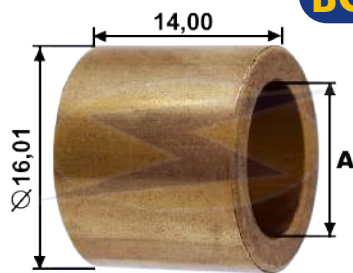
Aplicação / Application: **PEUGEOT:** 504, 505,
RENAULT: R18, R21, R25 trafic, Master Diesel



BC1-0180-00

Equivalente / Replace: **FORD**

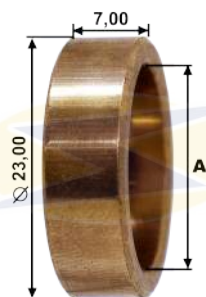
Aplicação / Application: **FORD:** Fusion 3.0L V6 (2010), **MERCURY:** Milan 3.0L V6 (2010), **VOLKSWAGEN:** Fox (2004-2019), Cross Fox (2005-2015), Space Fox 1.6 (2006-2015), Gol 1.6 (2008-2012), Golf 1.6 (2007-2014), Parati 1.6 (2005-2012), Polo 1.6 (2008-2011), Polo Sedan 1.6 (2006-2015), Voyage 1.6 (2008-2016), Saveiro 1.6 (2013-2016)



BC1-0182-00

Equivalente / Replace: **NIPPONDENSO**

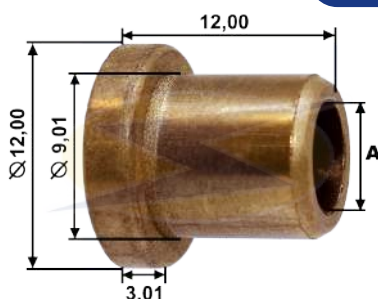
Aplicação / Application: **CUB CADET:** UTV Big Country 6x4 (2001-2010), UTV Big Country 4x2 (2001-2010)



BC1-0184-00

Equivalente / Replace: **MAGNETI MARELLI**

Aplicação / Application: **FIAT:** Tempra 2.0 (1992-1998), Tempra SW 2.0 (1992-1998), Tempra S 2.0 (1992-1998), Tipo 2.0 (1994-1997)

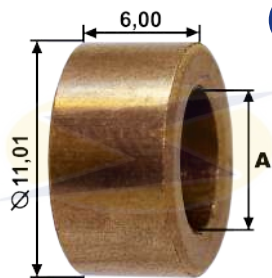


BC1-0186-00

Equivalente / Replace: **DELCO REMY**

Aplicação / Application: **RENAULT:** Captur 1.3 Turbo (2021->), Duster 1.3 Turbo (2021->), Oroch 1.3 Turbo (2021->),
HYUNDAI: HB20 1.0 (2021->), i20, **KIA:** Rio IV 1.0

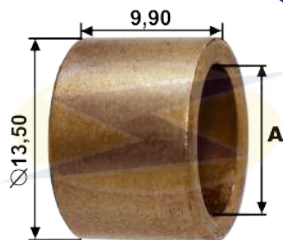




BC1-0190-00

Equivalente / Replace: **HITACHI**

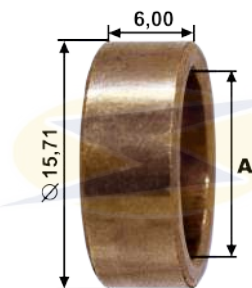
Aplicação / Application: **NISSAN:** Livina (2010-2014), Sentra (2004-2007), Tida (2008-2013), **RENAULT:** Fluence, Laguna (2007->), Megane 2.0 (2009->), Scenic 2.0 (2009->), Clio 2.0 (2006->)



BC1-0193-00

Equivalente / Replace: **MITSUBISHI**

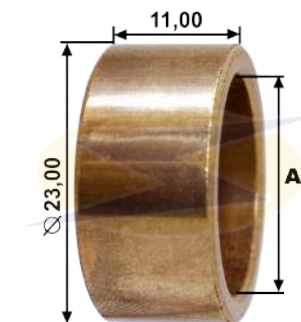
Aplicação / Application: **MITSUBISHI:** FG25 2.416v (1998-2004), FG20 2.416v (1989-2006), FG30 2.416v (1990-2007), FG35 2.416v (1990-2007)



BC1-0195-00

Equivalente / Replace: **PRESTOLITE**

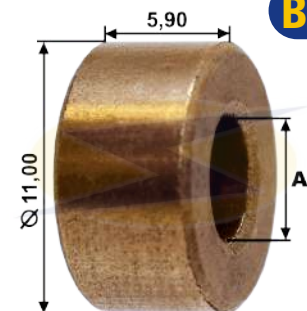
Aplicação / Application: **AGRALE:** Agrale 4100 15hp (1982-1995), Agrale 4200 1.3 (1982-1996), Agrale 4300 1.3 (1982-1996), Agrale 440 1.3 (1976-1992)



BC1-0198-00

Equivalente / Replace: **NIPPONDENSO**

Aplicação / Application: **MASSEY FARGUNSON:** MF-8140 6.0 (1995-1999), MF-8150 6.0(1995-1999), MF-8160 6.0(1995-1999), MF-8250 6.0 (1999-2005), MF-3680 4.4 (1999-2003), MF-6270 4.4 (1999-2003), MF-6280 4.4 (1999-2005), MF-6290 4.4 (1999-2005), MF-8240 6.0 (1995-1999), MF-8260 6.0 (1995-1999), MF-8280 6.0 (1995-1999), **JCB:** JCB 426ZX 5.9 (2011-2019), JCB 4CX 4WS 4.4 (2011-2020), JCB 8310 5.9 (2011-2019), JCB 8330 5.9 (2011-2019), JCB 4220 5.9 (2009-2018), JCB 8250 5.9 (2011-2019), JCB 8280 5.9 (2011-2019), SW20 (2010-2016), EZ38 2.4 (2010-2016), RD12A-90 2.4 (2010-2016), RD16A-90 2.4 (2010-2016), 200 ATJ-X 2.4 (2017-2022), 1350 RNXT2 2.4 (2017-2022), MT-X 420H 2.4 (2017-2022)

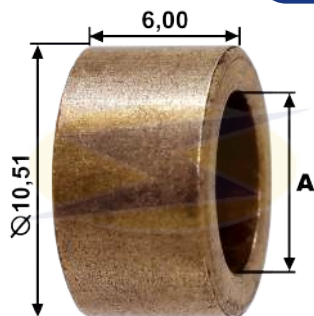


BC1-0200-00

Equivalente / Replace: **LUCAS INDIEL**

Aplicação / Application: **FORD:** Escort Europeu 1.8 (1993-1996), Verona 1.6 (1990-1992), Verona 1.8 (1990-1992), Versailles 1.8 (1992-1996), Versailles 2.0 (1992-1996), Versailles Royale 1.8 (1992-1996), Versailles Royale 2.0 (1992-1996), **VOLKSWAGEN:** Gol 1.8 (1995-1998), Apollo 1.6 (1990-1992), Apollo 1.8 (1990-1992), Logus 1.6 (1993-1996), Logus 1.8 (1993-1996), Polo Classic 1.8 (1997-2000)

BC1-0204-00

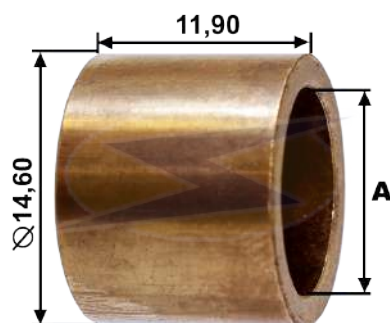


Equivalente / Replace: VALEO

Aplicação / Application: GM: S10 2.8 Diesel (2011-2014), TrailBlazer (2013)



BC1-0207-00



Equivalente / Replace: DENSO

Aplicação / Application: HONDA: Fit, JHON DEERE, KAWASAKI



KIT BUCHAS

Bushes Kit

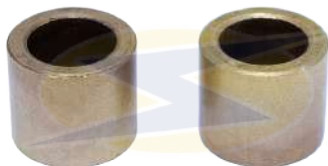
KT-0226-00



Equivalente / Replace: VALEO

Aplicação / Application: VOLKSWAGEN: Fox (2004-2019), Cross Fox (2005-2015), Space Fox 1.6 (2006-2015), Gol 1.6 (2008-2012), Golf 1.6 (2007-2014), Parati 1.6 (2005-2012), Polo 1.6 (2008-2011), Polo Sedan 1.6 (2006-2015), Voyage 1.6 (2008-2016), Saveiro 1.6 (2013-2016)

KT-0229-00



Equivalente / Replace: NIPPONDENSO

Aplicação / Application: CUB CADET: UTV Big Country 6x4 (2001-2010), UTV Big Country 4x2 (2001-2010)

KT-0233-00



Equivalente / Replace: MAGNETI MARELLI

Aplicação / Application: FIAT: Tempra 2.0 (1992-1998), Tempra 2.0 (1992-1998), Tempra SW 2.0 (1992-1998), Tempra S 2.0 (1992-1998), Tipo 2.0 (1994-1997)

KT-0239-00



Equivalente / Replace: MITSUBISHI

Aplicação / Application: GM: S10, Blazer, DODGE: Dakota, MBB: MB-180C

KT-0254-00



Equivalente / Replace: HITACHI

Aplicação / Application: NISSAN: Livina (2010-2014), Sentra (2004-2007), Tida (2008-2013), RENAULT: Fluence, Laguna (2007->), Megane 2.0 (2009->), Scenic 2.0 (2009->), Clio 2.0 (2006->)



KT-0260-00



Equivalente / Replace: MITSUBISHI

Aplicação / Application: MITSUBISHI: FG25 2.416v (1998-2004), FG20 2.416v (1989-2006), FG30 2.416v (1990-2007), FG35 2.416v (1990-2007)



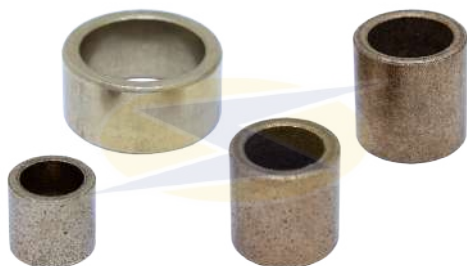
KT-0262-00



Equivalente / Replace: PRESTOLITE

Aplicação / Application: AGRALE: Agrale 4100 15hp (1982-1995), Agrale 4200 1.3 (1982-1996), Agrale 4300 1.3 (1982-1996), Agrale 440 1.3 (1976-1992)

KT-0265-00



Equivalente / Replace: NIPPONDENSO

Aplicação / Application: MASSEY FARGUNSON: MF-8140 6.0 (1995-1999), MF-8150 6.0(1995-1999), MF-8160 6.0(1995-1999), MF-8250 6.0 (1999-2005), MF-3680 4.4 (1999-2003), MF-6270 4.4 (1999-2003), MF-6280 4.4 (1999-2005), MF-6290 4.4 (1999-2005), MF-8240 6.0 (1995-1999), MF-8260 6.0 (1995-1999), MF-8280 6.0 (1995-1999), JCB: JCB 426ZX 5.9 (2011-2019), JCB 4CX 4WS 4.4 (2011-2020), JCB 8310 5.9 (2011-2019), JCB 8330 5.9 (2011-2019), JCB 4220 5.9 (2009-2018), JCB 8250 5.9 (2011-2019), JCB 8280 5.9 (2011-2019), SW20 (2010-2016), EZ38 2.4 (2010-2016), RD12A-90 2.4 (2010-2016), RD16A-90 2.4 (2010-2016), 200 ATJ-X 2.4 (2017-2022), 1350 RNXT2 2.4 (2017-2022), MT-X 420H 2.4 (2017-2022)

KT-0277-00

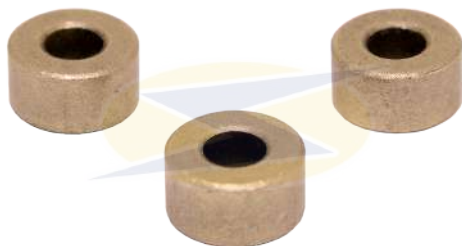


Equivalente / Replace: VALEO

Aplicação / Application: CHEVROLET: S-10 2.8 (2013-2022), S-10 Dupla 2.8 (2013-2022), Trailblazer 2.8 (2013-2022)



KT-0278-00



Equivalente / Replace: LUCAS INDIEL

Aplicação / Application: FORD: Escort Europeu 1.8 (1993-1996), Verona 1.6 (1990-1992), Verona 1.8 (1990-1992), Versailles 1.8 (1992-1996), Versailles 2.0 (1992-1996), Versailles Royale 1.8 (1992-1996), Versailles Royale 2.0 (1992-1996), **VOLKSWAGEN:** Gol 1.8 (1995-1998), Apollo 1.6



KT-0350-00



Equivalente / Replace: DELCO

Aplicação / Application: RENAULT: Captur 1.3 Turbo (2021->), Duster 1.3 Turbo (2021->), Oroch 1.3 Turbo (2021->), **HYUNDAI:** HB20 1.0 (2021->), i20, **KIA:** Rio IV 1.0



KT-0351-00



Equivalente / Replace: DELCO

Aplicação / Application: RENAULT: Captur 1.3 Turbo (2021->), Duster 1.3 Turbo (2021->), Oroch 1.3 Turbo (2021->), **HYUNDAI:** HB20 1.0 (2021->), i20, **KIA:** Rio IV 1.0

